

This range of pressure switches are very small and compact and can be used where space is at a premium. They can be used with any fluid compatible with the wetted parts.

- Sub-miniature Pressure Switches
- High Overload Capabilities
- Pressure up to 700 bar
- Rated 5 amp at 250V 50Hz
- External Adjustment
- Diaphragm & Piston Operated

### Diaphragm Operated Adjustable Pressure Ratings

TYPE No.	PRESSURE RANGE	HYSTERESIS TYPICAL	MAX.
4XP-VX8	-1 to 0 bar	25 mbar	28 bar
4XP-CX2	0 to 1.5 bar	38 mbar	28 bar
4XP-CX8	1 to 7 bar	250 mbar	28 bar
4XP-BX8	1.5 to 15 bar	400 mbar	28 bar

### Materials of Construction

Pressure Connection..Brass  
 Body .....Nylon  
 Diaphragm.....Nitrile Rubber

### Piston Operated – Dynamic Piston Seal Adjustable Pressure Ranges

TYPE No.	PRESSURE RANGE	HYSTERESIS TYPICAL	MAX.
4XP-IX2	2.5 to 7 bar	1 bar	120 bar
4XP-IX8	3 to 30 bar	2 bar	120 bar

### Materials of Construction

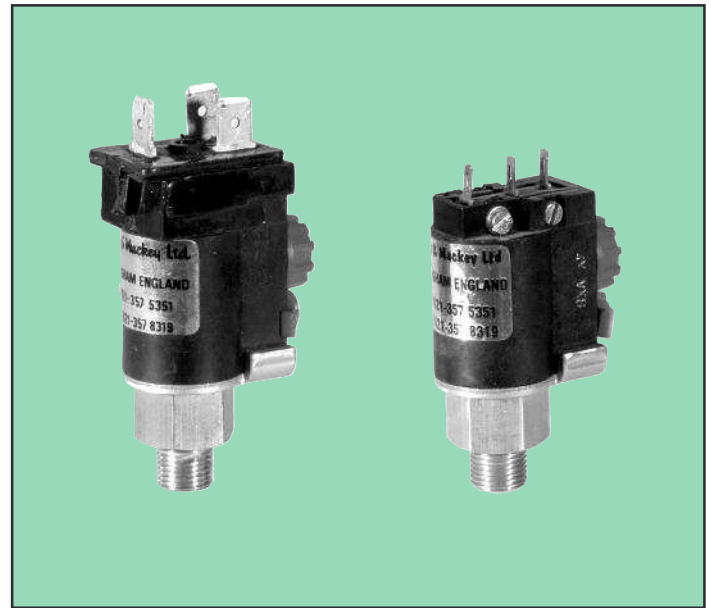
Pressure Connection..Brass  
 Body .....Nylon  
 Piston Seal .....PTFE

### Piston Operated – Static Piston Seal Pressure Ranges

TYPE No.	PRESSURE RANGE	HYSTERESIS TYPICAL	MAX.
4XP-HX8	40 to 100 bar	10 bar	500 bar
4XP-GX8	70 to 200 bar	15 bar	500 bar
4XP-FX8	100 to 400 bar	20 bar	500 bar

### Materials of Construction

Pressure Connection..Brass  
 Body .....Nylon  
 Piston .....Steel Chrome Plated  
 Seal .....Nitrile Rubber

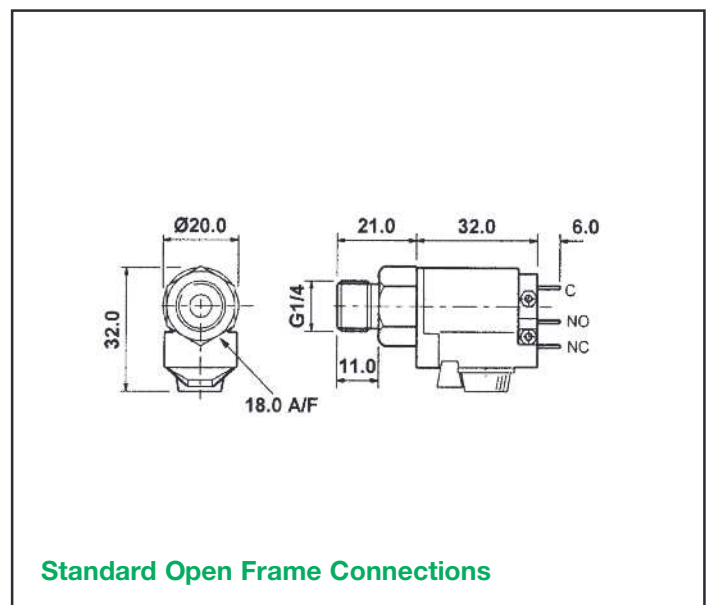


### Electric Rating

Electric loading is up to 5A at 250V 50Hz. Current rating on AC and DC circuits are given in the table below.

Use on DC circuits or with electronic control equipment should be discussed with our technical sales department. Microswitches with gold plated contacts are now available for low energy applications.

	VOLTS AC		VOLTS DC					
	125	250	15	30	50	75	125	250
Resistive	5.0	5.0	10.0	5.0	1.0	0.75	0.5	0.25
Inductive	5.0	5.0	10.0	3.0	1.0	0.25	0.06	0.03



Standard Open Frame Connections