

DESCRIPTION

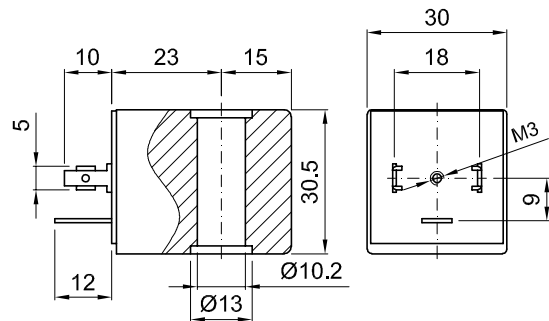
Encapsulated coil incorporating the magnetic circuit.
 Fixing by means of a central nut.
 Electrical connection according to DIN 43650 A
 (A EN 175301-803 ISO 4400)



CONSTRUCTION

Encapsulation:
 Class F Fibre-glass Nylon
 Class H Fibre-glass Polyarylamide
 Magnetic circuit Zinc-plated steel
 Windings Copper covered with class H insulation
 Ambient temperature: class F -10°C +55°C
 class H -10°C +80°C
 UL coil -10°C +60°C

OPTIONS: Electrical connection through cable
 Special powers and voltages
 Self-extinguish



CODE		Alternating Current Voltage	Direct Current Voltage (V)	Power ①		Voltage tolerance		Connector	Service ED
Class F insulation	Class H insulation			Alternating Current (VA)	Direct Current (W)	Alternating current	Direct current		
40A	42A	12V 50/60Hz	-	11	-	+15%	-	10349000	100%
40B	42B	24V 50/60Hz	-						
40C	42C	48V 50/60Hz	-						
40D	42D	110V 50/60Hz	-						
40E	42E	220/230V 50/60Hz	-						
40F	42F	240V 50/60Hz	-						
40G	42G	380V 50/60Hz	-						
400	420	-	12	-	5	-	±10%	10349000	100%
401	421	-	24						
402	422	-	48						

8

Certified version US

NOTE: The performance with UL coil could be different. Please contact the manufacturer for any further information.

-	U450	-	12	-	8	-	±10%	10349000	100%
-	U451	-	24						

① Considering nominal voltage and an ambient temperature of 20°C