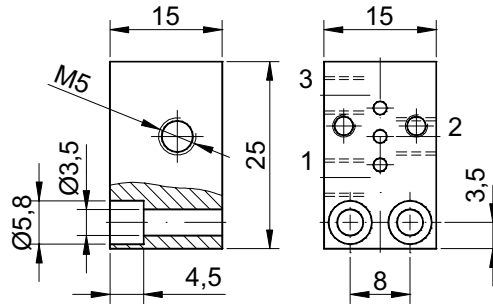


SINGLE BASE

Code:
B01/340/M5



MULTIPLE BASES

Code:
B...../340/M5

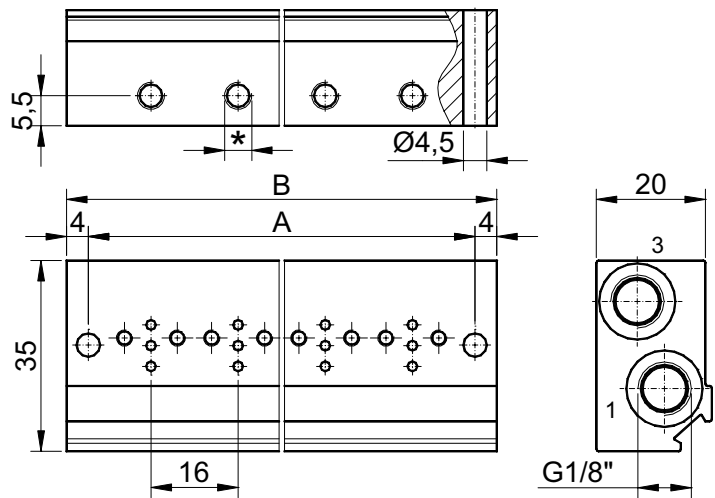
N° PLACES

B...../340/R4

N° PLACES

* = M5 Thread

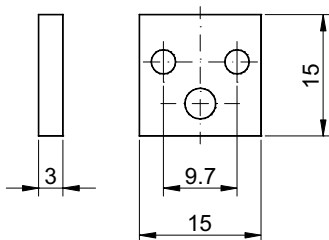
* = quick connection
for pipes Øext 4



N° PLACES	2	3	4	5	6	7	8	9	10
A	39	55	71	87	103	119	135	151	167
B	47	63	79	95	111	127	143	159	175

BLANKING PLATE

Code:
PC/340



REVERSING PLATE FOR N.O. (341)

Code:
PA/340

