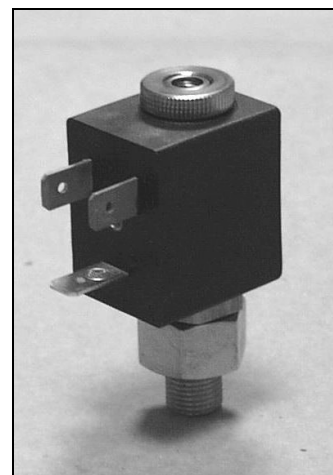


DESCRIPTION

Solenoid valve in-line 2 way
normally open direct acting
poppet type

CONSTRUCTION

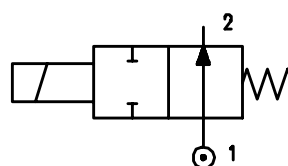
Body	Brass
Armature tube	Brass
Armature & core	Stainless steel
Spring	Stainless steel
Seal material	NBR FPM EPDM



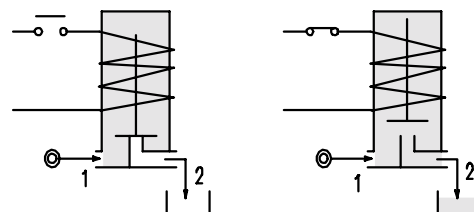
2

FEATURES

Maximum allowable pressure 50 bar
Maximum fluid viscosity 25cSt (mm²/s)
Ambient temperature : with class F coil -10° +55°C
with class H coil -10°+80°C
Universal mounting position



OPTIONS : Electroless nickel plating
Body stainless steel
Armature tube stainless steel
User port with hosetail connection



CODE	Connection BSP	Orifice mm	KV m ³ /h	Differential Pressure bar			Nominal Power			Coil		Seal ①	Temp. Range °C
				Min	Max		AC Inrush	VA Holding	DC Watt	Type	Width		
					AC	DC							
① ② User port with M5 connection													
E204A.....15///.....	1/8"	1.5	0.06	0	16	16	12	8	6.5	3	22	NBR=B	-10 +90
E204A.....17///.....	1/8"	1.7	0.08	0	12	12	12	8	6.5	3	22		
User port with hosetail connection													
E204A.....15/1/.....	1/8"	1.5	0.06	0	16	16	12	8	6.5	3	22	EPDM=E	<+140
E204A.....17/1/.....	1/8"	1.7	0.08	0	12	12	12	8	6.5	3	22		
User port with hosetail connection and relief valve													
E204A.....15/3/.....	1/8"	1.5	0.06	0	16	16	12	8	6.5	3	22	FPM=V	-10 +130
E204A.....17/3/.....	1/8"	1.7	0.08	0	12	12	12	8	6.5	3	22		

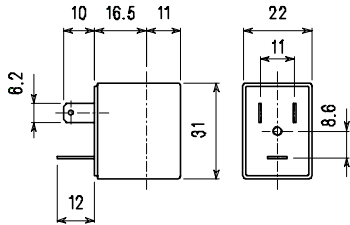
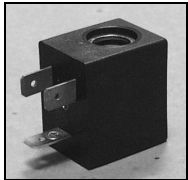
2.204.A/01/02

- ① Seal
- ② Coil

Example E204AB17///301 NBR Seal
Coil 24V DC

COIL	Alternating current ~50 /60Hz Volt							Direct current Volt			Electrical connection	Connector
	12	24	48	110	220 230	240	380	12	24	48		
Type 3 Width 22 Code ②	30A	30B	30C	30D	30E	30F	30G	300	301	302	DIN 46244	PG9 code 10348000

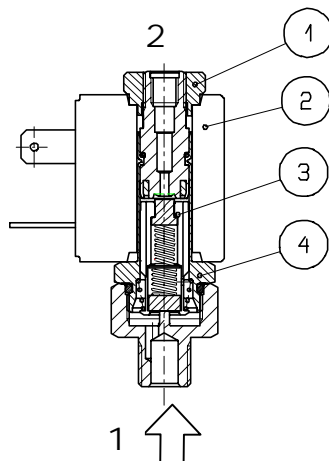
DESCRIPTIONS
 Class F insulation
 Voltage tolerance
 CA+15% -10%
 DC ± 10%
 Protection to IP65
 with connector fitted
 Continuous service
 ED100%
OPTIONS
 Class H insulation
 Cable attached
 Special coil voltage
 Special coil powers



Type 3 Weight 0.05Kg

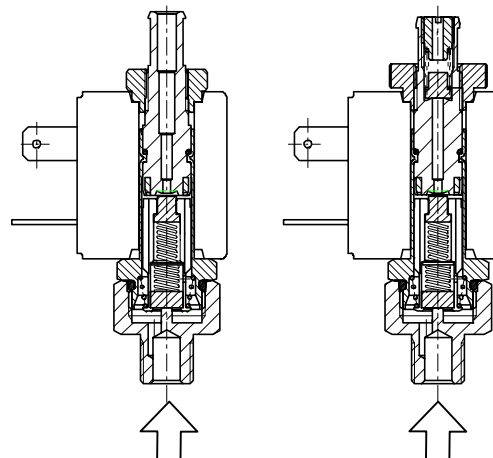
SPARE PARTS LIST

- 1.Coil fixing nut
- 2.Coil
- 3.Armature assembly
- 4.Aramture tube with core

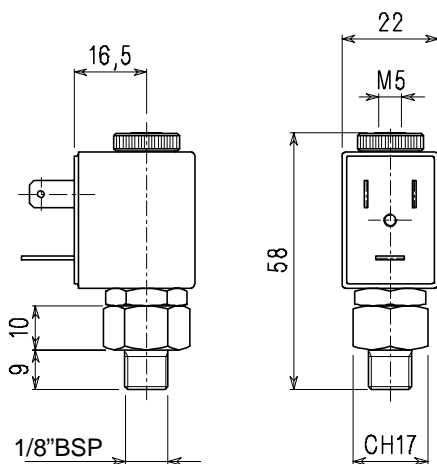


Hosetail

**Hosetail with
relief valve**

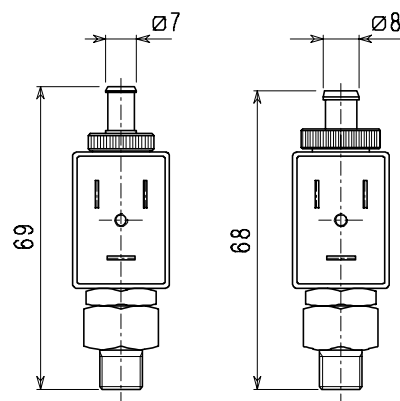


OVERALL DIMENSION



Hosetail

**Hosetail with
relief valve**



Weight 0.10 Kg