

DESCRIPTION

Solenoid valve 2 way normally closed direct acting poppet type with explosion proof coil EEx “d” IIC T6



VALVE CONSTRUCTION

Body Stainless steel
 Seal material NBR
 FPM

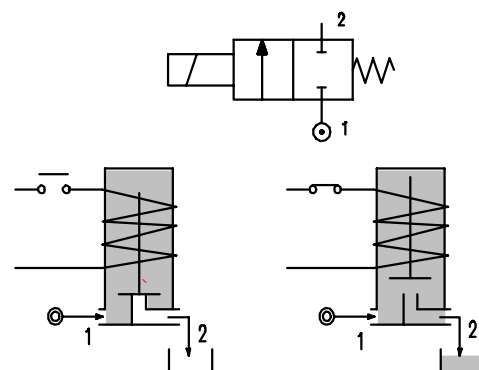
EXPLOSION PROOF CONSTRUCTION

Housing Alloy in black colour
 Electrical connection 1/2" NPT

FEATURES

Maximum allowable pressure 100 bar
 Maximum fluid viscosity 25cSt (mm²/s)
 Ambient temperature : -10° +40°C
 Mounting position with vertical coil above

OPTIONS : Silver shading ring



2

CODE ① ②	Connection G	Orifice mm	KV m ³ /h	Differential pressure bar			Nominal Power		Coil Type	Seal ①	Temp. Range °C
				Min	Max		AC Holding	DC			
					AC	DC					
A110B.....20///.....	1/4"	2	0.1	0	22	20	20VA	14W	96	NBR=B	-10 +90
A110B.....35///.....	1/4"	3.5	0.32	0	10	8					
A110B.....52///.....	1/4"	5.2	0.47	0	4	1.8					
A110B.....64///.....	1/4"	6.4	0.64	0	3.5	1					
A110C.....20///.....	3/8"	2	0.1	0	22	20					
A110C.....35///.....	3/8"	3.5	0.32	0	10	8					
A110C.....52///.....	3/8"	5.2	0.47	0	4	1.8					
A110C.....64///.....	3/8"	6.4	0.64	0	3.5	1					
A110D.....20///.....	1/2"	2	0.1	0	22	20				FPM=V	-10 +130
A110D.....35///.....	1/2"	3.5	0.32	0	10	8					
A110D.....52///.....	1/2"	5.2	0.47	0	4	1.8					
A110D.....64///.....	1/2"	6.4	0.64	0	3.5	1					

- ① Seal
- ② Coil

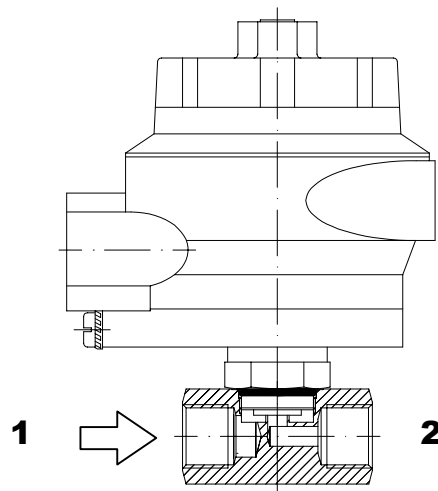
Example E110BB35///96E NBR seal
 Coil V220 50/60Hz

Type A110

COIL	Alternating Current ~50 /60Hz Volt					Direct Current Volt			Electrical connection
	24	48	110	220 230	420	12	24	48	
Type 96 Code ②	96B	96C	96D	96E	on request	960	961	962	1/2" NPT

DESCRIPTION
Voltage tolerance
-10% +15%.

OPTIONS
Electrical conn 3/4" NPT
1/2" - 3/4" GAS Uni 6125



OVERALL DIMENSIONS

